

# Big RAS

## Heavy Duty

### Azimuth Elevation Rotator

Complexity is reduced to a minimum by utilizing a simple double worm gear drive

\* 13.8 to 24 volts DC.

\* Position readout is sensed by a reed switch.



Low Voltage - DC motor, Worm Drive, high torque.

Uses inexpensive 4 conductor low voltage cable. (8 wires total for AZ/EL)

Able to work long runs > 600 m (~2000 ft)

Works with standard ROT2 Prog controller or MD-01/02

Remote relay operation possible.

Sealed reed switch sensor technology for reliable all weather readout. (no potentiometers to fail)

Rated for heavy loads even when mounted outside the tower.

Designed for simple mounting to ~66 mm (2.6") pipe mast - bottom opening and 50 mm (2.0") top horizontal opening.

Adapters available to mate with common rotator bolt patterns.



## Rot2Prog Controller

Manual, Automatic, Scanning and Programmable modes.

Digital readout with 0.5 degree resolution.

Large easy to read soft green LED display, Computer USB interface ability included.

Low voltage operation from any 13.8 to 18 volt source (typically 2-5 amps).

Easy to interface computer control, open protocol.

Ideal for VHF/UHF, EME, Roving, Portable, Disaster and Field Day operations.

AZ can be zeroed at any position to allow for installation inaccuracy or antenna mount slippage.

Generous over travel (+/-180) with electronic limits. Total of 720 Degree.

Small front panel to simplify stacking several units takes up less valuable space.

Mouse control.

Works with most Satellite Tracking programs.

Normal 360

- 180

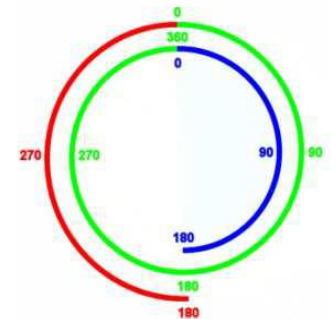
or

+540 from

North 0

for

total of 720



## Big RAS Specifications

Torque Voltage dependent  
13.8 volts ~565 N m 5000 lb in.  
Rotation speed ~120 sec for 360  
Degree @ 12 volts  
18 volts ~904 N m 8000 lb in.  
Rotation speed ~90 sec for 360  
degree  
24 volts ~2712 N m 24000 lb in.  
Rotation speed ~60 sec for 360  
Degree at 24 volts  
Braking Torque ~2712 N m (24,000  
in lb)  
0.5 degree positioning resolution-  
Tight tolerances for minimal play  
Double worm drive  
Quiet & powerful self-brake action  
Heavy duty bearings, Pipe to pipe  
mount, Real steel housing & final  
gear drive  
Overall height ~340 mm (13.5 in)  
Horizontal pipe opening ~50 mm  
(2.0 in)  
Bottom pipe opening ~66 mm (2.6 in)  
Centre to widest point is ~165 mm  
(6.5 in)

Owned & Operated  
by Amateur Radio Operators

We Are, We Know,  
We do Communication  
World Wide Without Wires!



Alfa Radio Ltd. 11211 154 Street  
Edmonton, AB. Canada T5M 1X8  
Phone: 780-466-5779  
[www.alfaradio.ca](http://www.alfaradio.ca)  
e-mail: [sales@alfaradio.ca](mailto:sales@alfaradio.ca)

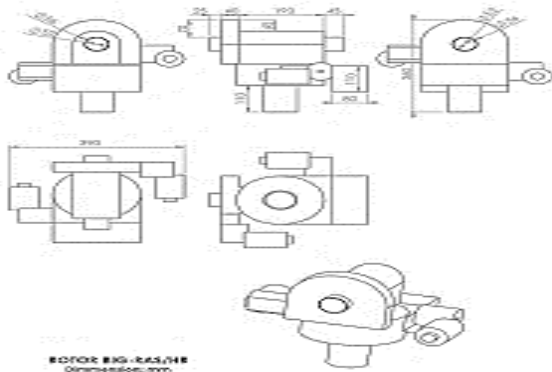
Alfa Radio Ltd.

Home of the  
Alfa Rotator

Big RAS  
Azimuth Elevation  
Rotator



RADIO AMATEURS  
SERVING  
RADIO AMATEURS



MOTOR BIG-RAS/18  
Dimension: mm

